

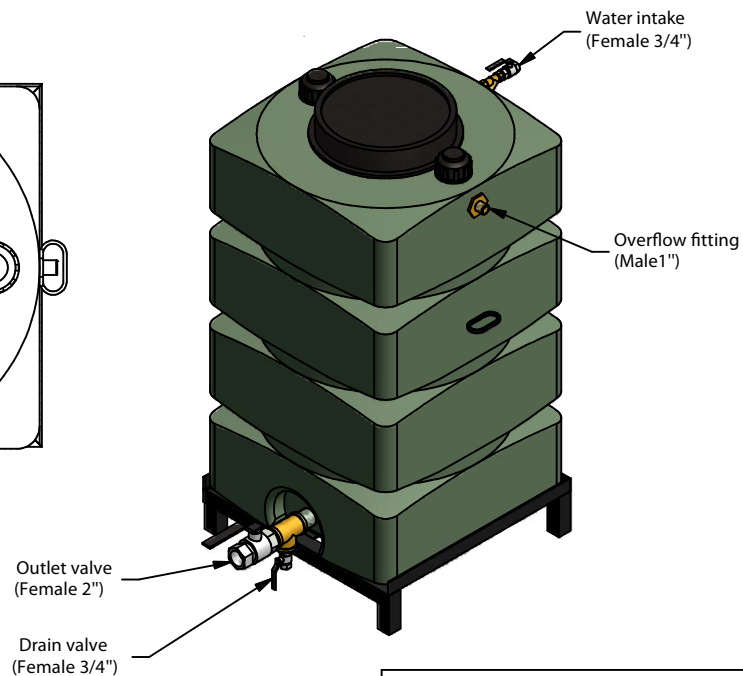
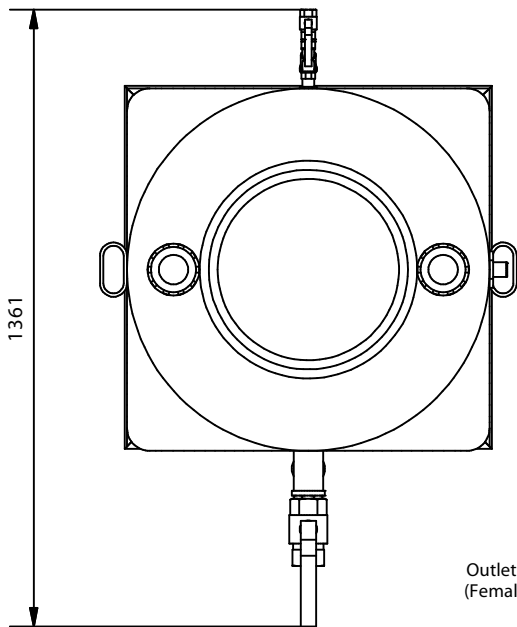
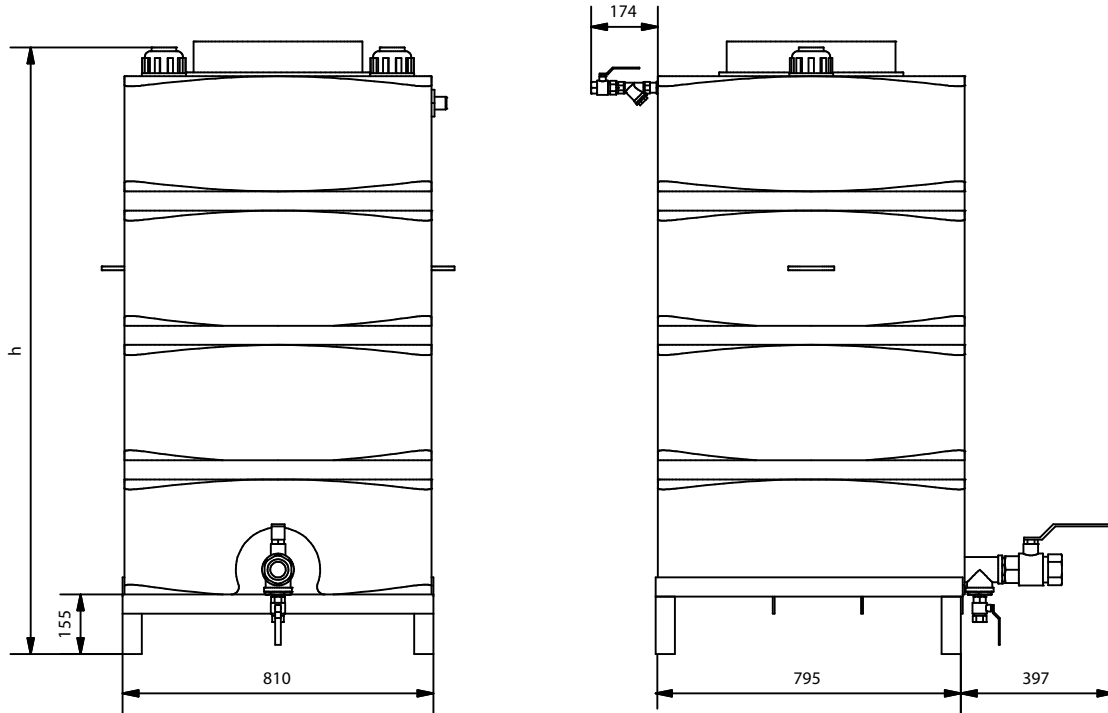
**VERTICAL TANK 500-1000L**
**AN/D500V, AN/D750V, AN/D1000V**


Table		
Reference	capacity	h
AN/D500V	500 L	1300 mm
AN/D750V	750 L	1700 mm
AN/D1000V	1000 L	2200 mm

Specifications	
Name	Value
Material	Polyethylene


 Av. Alfonso Peña Boeuf, 6 y 9  
 28022 MADRID - ESPAÑA  
 TEL: +34 913121656  
 FAX: +34 913295820

**DATA SHEET**  
**VERTICAL TANK 500 - 1000 L**

Description: Vertical polyethylene tank equipped with CIM filter and float valve for water intake and a Ø400mm manhole.

Token code:	Family tab:	Reference :	Drawn :	Date:	Reviewed:	Date:	Revision:	Format:
AEX-FTC-05-006	Microaqua	VER TABLA	DCM	06/03/2017	MRC	06/03/2017	1	A4